

LTECH

DMX512 DECODER

LT-924

24
CHANNELS

8 bit / 16 bit

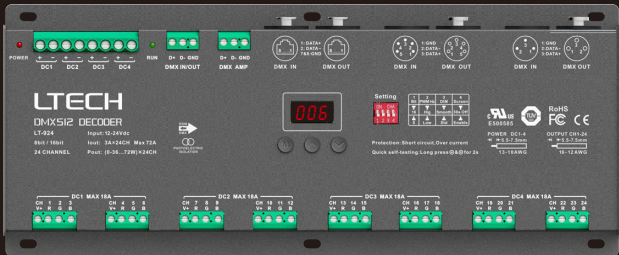
4 kinds of DMX interfaces

Short circuit/ Over current/ Overheat protection

C **UL** **US**
E500585



Photoelectric
isolation



www.ltech-led.com

Product introduction

1. Designed for Hi-power multiple channels application, 24 channels output, and up to 1728W output power.
2. Easy operation with digital display and the touch buttons.
3. 3-pin XLR, 5-pin XLR, RJ45 and green terminal DMX interface with photoelectric isolation, improve signal transmission efficiency and anti-interference ability, the green terminal also has signal amplifier function.
4. With RDM remote management protocol, the operations can be completed via the RDM master console, such as parameters browsing & settings, DMX address settings, equipment recognition, etc.
5. With short circuit / overheat / over current protection, as well as warning function when a fault occurs.
6. With firmware upgrade function.
7. With fast self-testing function.
8. High/low PWM frequency available.
9. 16bit (65536 levels) / 8bit (256 levels) grey level available.



3-pin XLR



5-pin XLR



RJ45



RDM

Photoelectric
isolationShort circuit
protectionOverheat
protectionOver current
protection

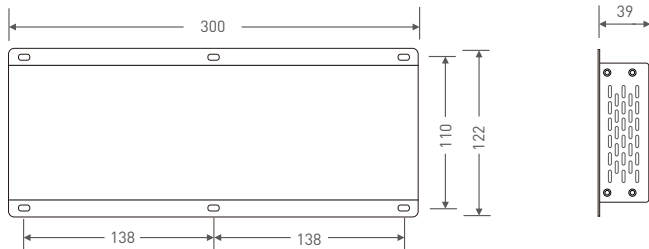
Technical specs

Model :	LT-924
Input signal :	DMX512/RDM
Input voltage :	12~24Vdc
Current load :	3A × 24CH Max. 72A
Output power :	(0~36W...72W) × 24CH Max. 1728W
DMX interfaces :	3-pin XLR, 5-pin XLR, RJ45, Green terminal
Grey level :	8bit (256 levels) / 16bit (65536 levels)
Photoelectric isolation :	Yes
Protection :	Short circuit / Overheat / Over current protection, recover automatically.
Working temperature :	-30°C~65°C
Dimensions :	300×122×39mm(L×W×H)
Package size :	313×127×41mm(L×W×H)
Weight (G.W.) :	1180g

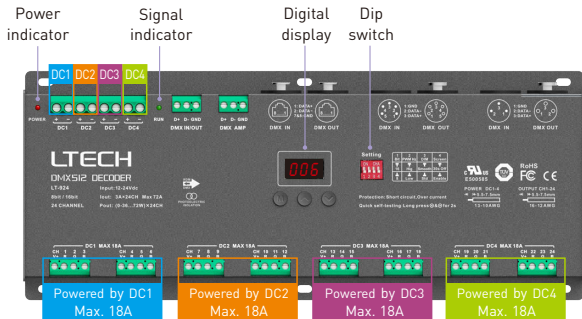


Product size

Unit: mm



Main component description



Digital display

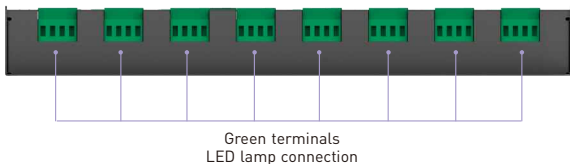
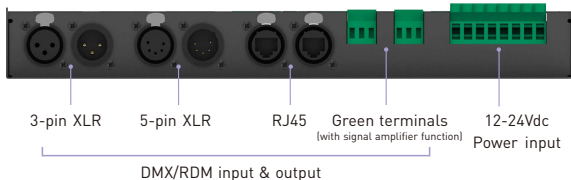


- Digital display will enter the locked mode without operating after 15s.
- Long press "M" key to unlock.
- Short press "M" key to switch numbers.
- Press "A" "V" key to adjust value.

Dip switch

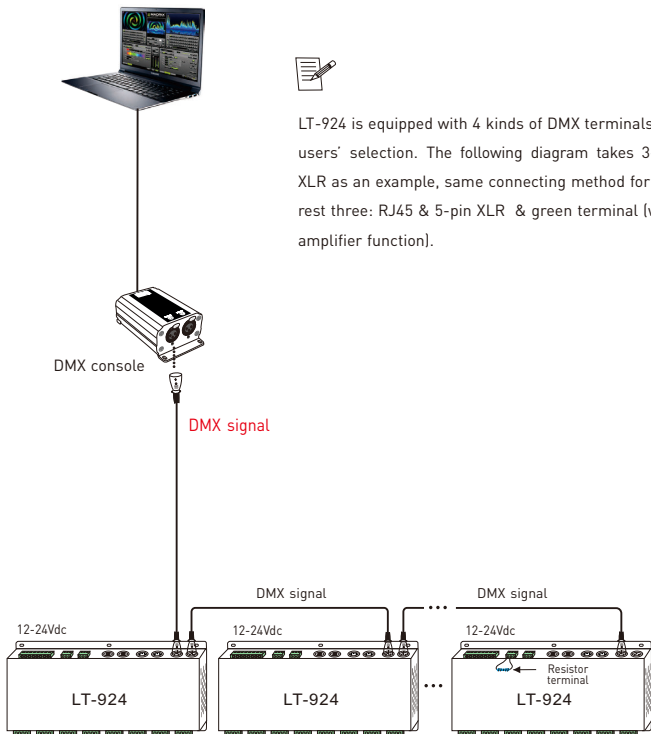


1 Bit	2 PWM Hz	3 DIM	4 Screen
⬇️ 16	⬆️ High	⬇️ Smooth	⬇️ 30S off
⬇️ 8	⬆️ Low	⬇️ Std	⬆️ Enable



Wiring diagram

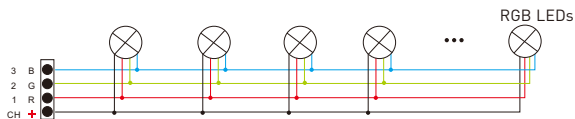
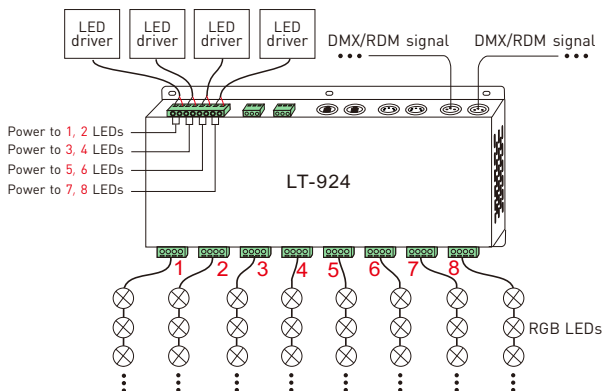
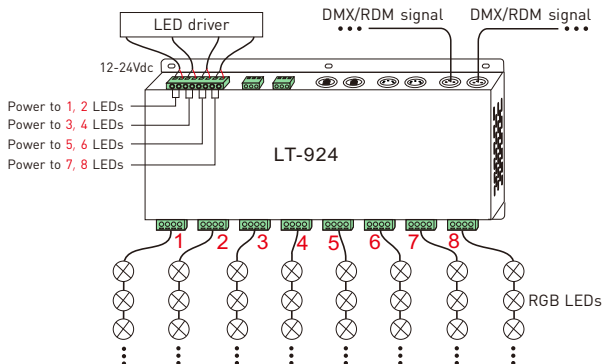
1. DMX console connection:



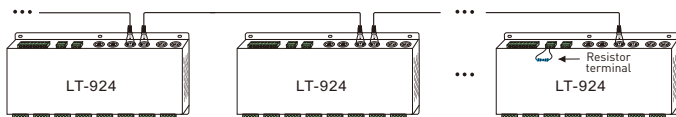
LT-924 is equipped with 4 kinds of DMX terminals for users' selection. The following diagram takes 3-pin XLR as an example, same connecting method for the rest three: RJ45 & 5-pin XLR & green terminal (with amplifier function).

* If the recoil effect occurs because of longer signal line or bad line quality, please try to connect 0.25W 90-120Ω terminal resistor at the end of each line.

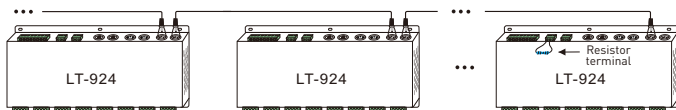
2. Connecting LED lights:



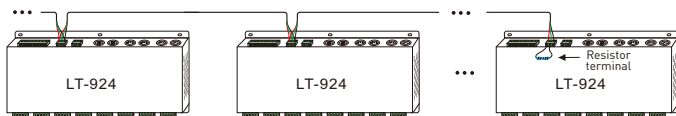
3. The connection diagram of 4 kinds of DMX/RDM terminals:



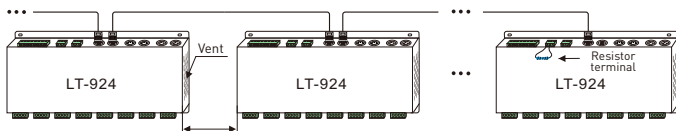
5-pin XLR connected in parallel



3-pin XLR connected in parallel



Green terminal connected in parallel



Installation distance > 20mm

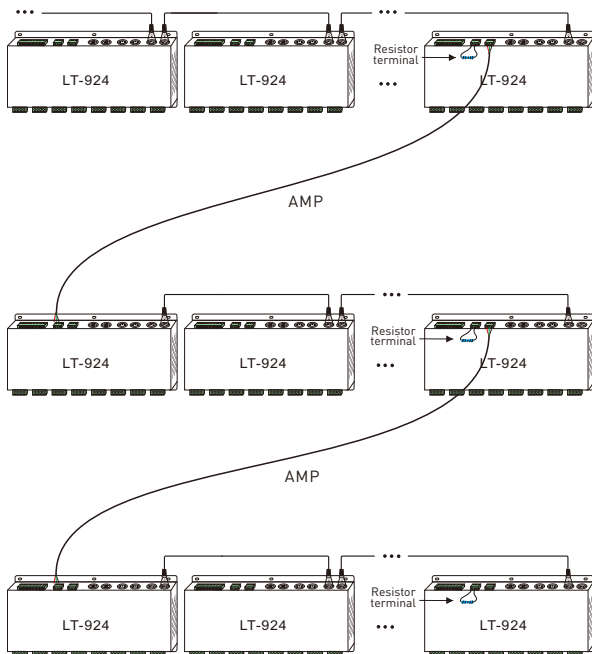
Rj45 connected in parallel

These 4 terminals can be connected in a mixed way.

- * **Installation attentions** : please reserve enough ventilation distance between decoders (>20mm), be sure not to block the vent, or it will affect lifetime of decoder for poor heat dissipation.

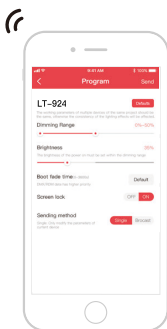
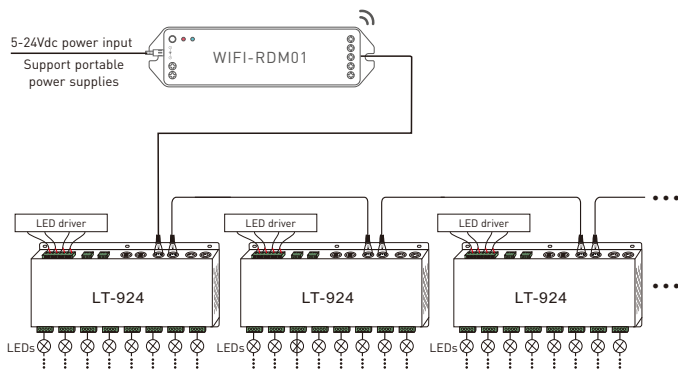
4. The connection diagram of AMP signal amplifier terminal:

- * Connecting with green terminal or an extra amplifier will be needed when more than 32 decoders are connected or use overlong signal line (as shown below). Signal amplifier should not be more than 5 times continuously.



Work with RDM editor

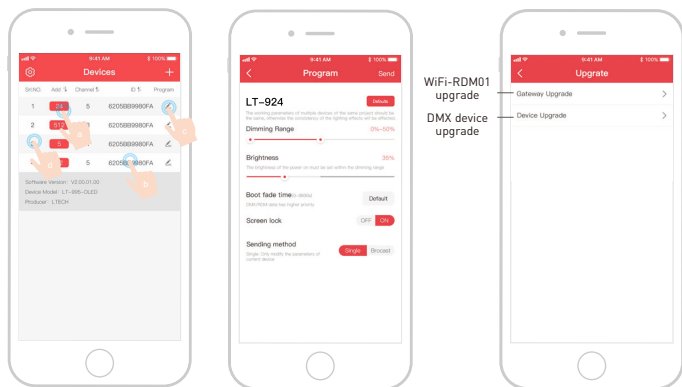
LT-924 can work with LTECH RDM editor (Model: WiFi-RDM01) to realize changing the parameters and firmware upgrade by long-range setting, wiring diagram as below:



RDM editor App interface instructions

Download the App, setting LT-924 parameters (dimming range, brightness, boot fade time etc.) after well connecting the RDM editor, more details, please check the manual of WiFi-RDM01.

Well installation of products first, then working with WiFi -RDM01 to realize setting parameters and firmware upgrade by App.



- a: Click "Add", edit the address in corresponding box.
 b: Click "ID", get more product details.
 c: Click "⌨", enter edited interface.
 d: Click "No.", issue the recognizing command.

WiFi-RDM01
upgrade
DMX device
upgrade

Supporting WiFi-RDM01 upgrade
and DMX driver upgrade.

Attentions

- Products shall be installed by qualified professionals.
 - LTECH products are non-waterproof (special models excepted). Please avoid the sun and rain. When installed outdoors, please ensure it is mounted in a water proof enclosure.
 - Good heat dissipation will extend the working life of products. Please ensure good ventilation.
 - Please check if the working voltage used complies with the parameter requirements of products.
 - The diameter of wire used must be able to load the light fixtures you connect and ensure the firm wiring.
 - Before you power on products, please make sure all the wiring is correct in case of incorrect connection that causes damage to light fixtures.
 - If a fault occurs, please do not attempt to fix products by yourself. If you have any question, please contact your suppliers.
- * This manual is subject to changes without further notice. Product functions depend on the goods. Please feel free to contact our official distributors if you have any question.

Warranty agreement

Warranty periods from the date of delivery : 5 years.

Free repair or replacement services for quality problems are provided within warranty periods.

Warranty exclusions below:

- Beyond warranty periods.
 - Any artificial damage caused by high voltage, overload, or improper operations.
 - Products with severe physical damage.
 - Damage caused by natural disasters and force majeure.
 - Warranty labels and barcodes have been damaged.
 - No any contract signed by LTECH.
1. Repair or replacement provided is the only remedy for customers. LTECH is not liable for any incidental or consequential damage unless it is within the law.
 2. LTECH has the right to amend or adjust the terms of this warranty, and release in written form shall prevail.