

# LTECH

## DMX512 DECODER

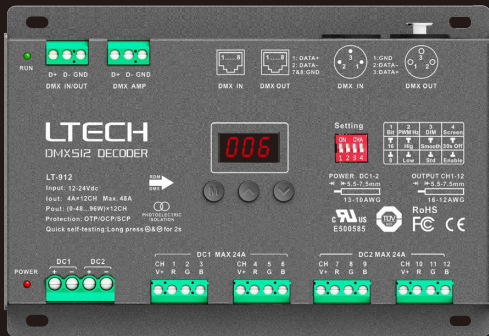
LT-912

12  
CHANNELS

8 bit / 16 bit

3 kinds of DMX interfaces

Short circuit / Over current / Overheat protection



[www.ltech-led.com](http://www.ltech-led.com)

## Product introduction

1. Designed for Hi-power multiple channels application, 12 channels output, and up to 1152W output power.
2. Easy operation with digital display and the touch buttons.
3. 3-pin XLR, RJ45 and green terminal DMX interface with photoelectric isolation, improve signal transmission efficiency and anti-interference ability, the green terminal also has signal amplifier function.
4. With RDM remote management protocol, the operations can be completed via the RDM master console, such as parameters browsing & settings, DMX address settings, equipment recognition, etc.
5. With firmware upgrade function.
6. With short circuit / overheat / over current protection, as well as warning function when a fault occurs.
7. With power-on state management and fast self-testing function.
8. High/low PWM frequency available.
9. 16bit (65536 levels) / 8bit (256 levels) grey level available.



3-pin XLR



RJ45

Photoelectric  
isolation

RDM

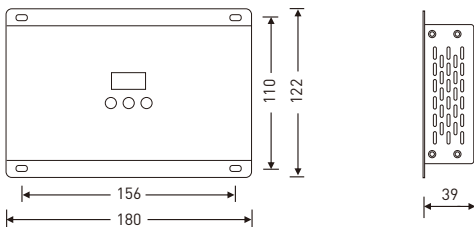
Short circuit  
protectionOverheat  
protectionOver current  
protection

## Technical specs

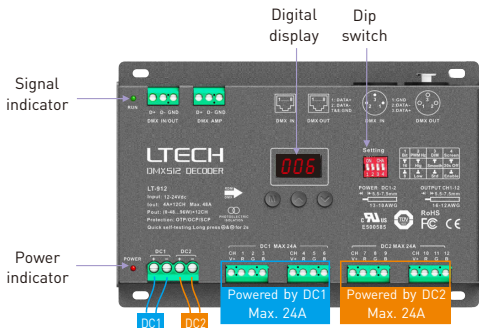
Model :	LT-912
Input signal :	DMX512/RDM
DMX interfaces :	3-pin XLR, RJ45, green terminal
Input voltage :	12-24Vdc
Current load :	4A × 12CH Max. 48A
Output power :	(0~48W...96W) × 12CH Max. 1152W
Grey level :	8bit (256 levels) / 16bit (65536 levels)
Photoelectric isolation :	Yes
Protection :	Short circuit / Overheat / Over current protection, recover automatically.
Working temperature :	-30°C~65°C
Dimensions :	180×122×39mm(L×W×H)
Package size :	193×127×41mm(L×W×H)
Weight (G.W.) :	730g

## Product size

Unit: mm



# Main component description



## Digital display



- Digital display will enter the locked mode without operating after 15S.
- Long press "M" key to unlock.
- Short press "M" key to switch numbers.
- Press "A" "V" key to adjust value.

## DIP switch

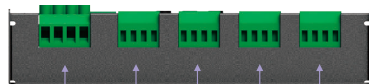


1 Bit	2 PWM Hz	3 DIM	4 Screen
⬇	⬇	⬇	⬇
16	High	Smooth	30S off
⬆	⬆	⬆	⬆
8	Low	Std	Enable



3-pin XLR RJ45 Green terminals (with signal amplifier function)

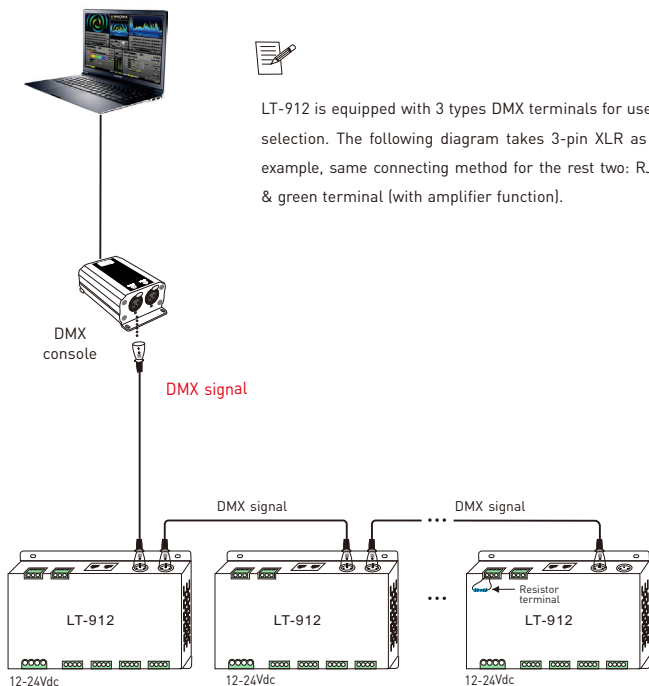
DMX/RDM input & output



12-24Vdc input voltage Green terminals LED lamps connection

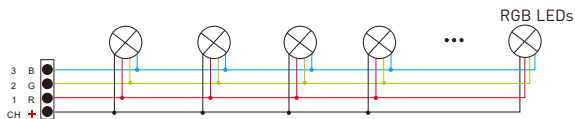
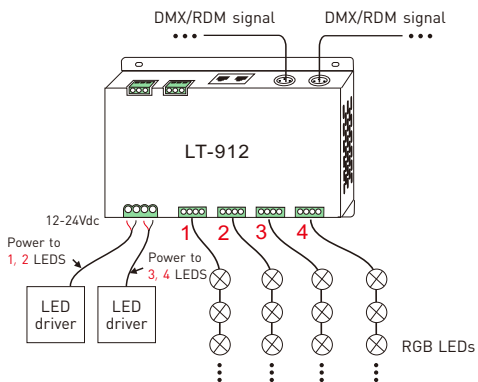
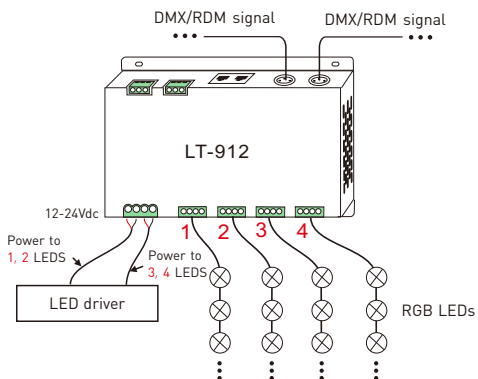
## Wiring diagram

### 1. DMX console connection:

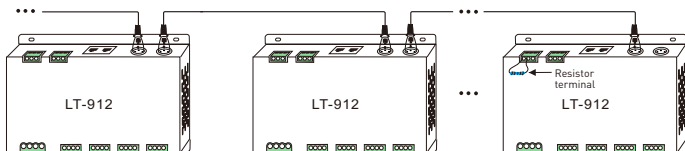


- \* If the recoil effect occurs because of longer signal line or bad line quality, please try to connect 0.25W 90-120Ω terminal resistor at the end of each line.

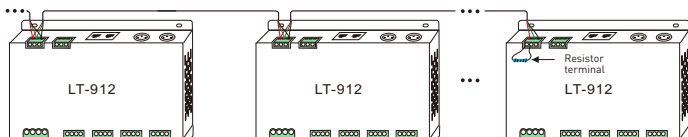
## 2 Connecting LED lights:



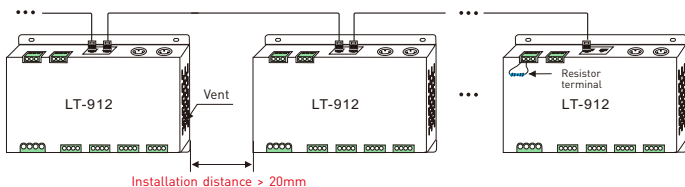
### 3. The connection diagram of 3 kinds of DMX/RDM terminals:



3-pin XLR connected in parallel



Green terminal connected in parallel



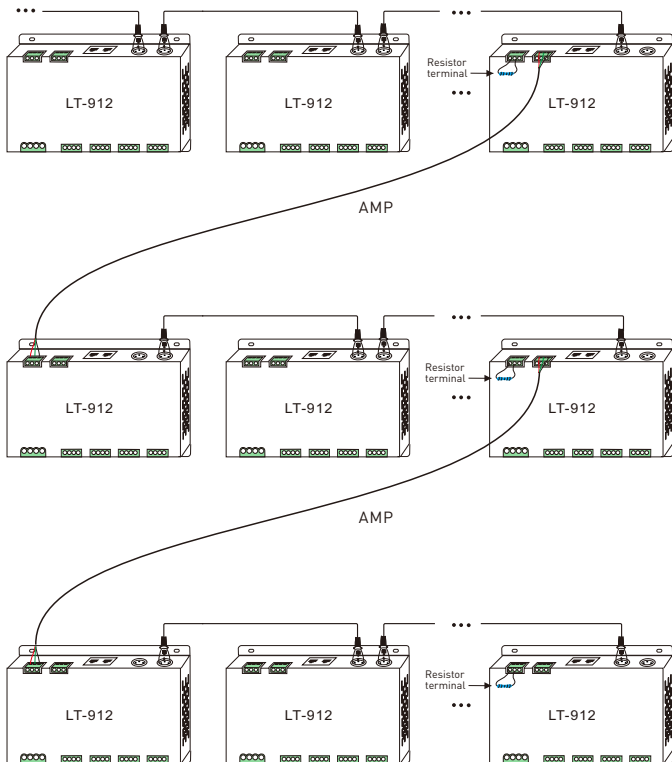
Rj45 connected in parallel

These 3 terminals can be connected in a mixed way.

**\* Installation attentions :** please reserve enough ventilation distance between decoders (>20mm), be sure not to block the vent, or it will affect lifetime of decoder for poor heat dissipation.

#### 4. The connection diagram of AMP signal amplifier terminal:

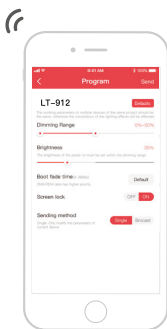
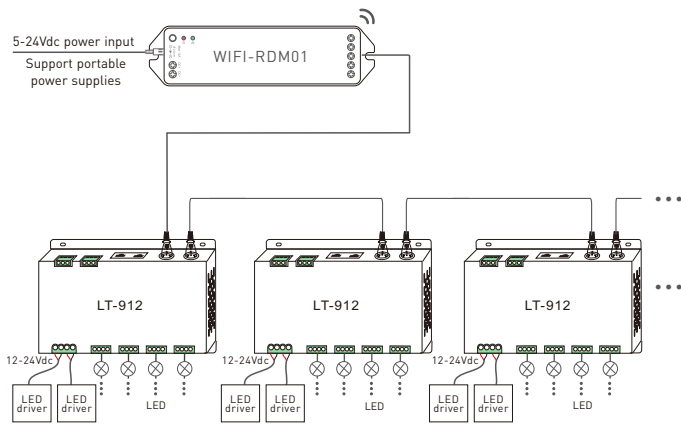
- \* Connecting with green terminal or an extra amplifier will be needed when more than 32 decoders are connected or use overlong signal wire(as shown below). Signal amplifier should not be more than 5 times continuously.





## Work with RDM editor

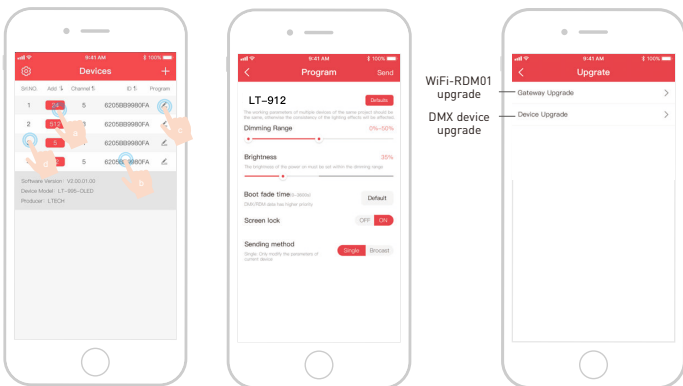
LT-912 can work with LTECH RDM editor (Model: WiFi-RDM01) to realize changing the parameters and firmware upgrade by long-range setting, wiring diagram as below:



## RDM editor App interface instructions

Download the App, setting LT-912 parameters (dimming range, brightness, boot fade time etc.) after well connecting the RDM editor, more details, please check the manual of WiFi-RDM01.

Well installation of products first, then working with WiFi -RDM01 to realize setting parameters and firmware upgrade by App.



WiFi-RDM01  
upgrade  
DMX device  
upgrade

- a: Click "Add", edit the address in corresponding box.  
 b: Click "ID", get more product details.  
 c: Click "edit", enter edited interface.  
 d: Click "No.", issue the recognizing command.

Supporting WiFi-RDM01 upgrade  
and DMX driver upgrade.

## Attentions

1. The product shall be installed and serviced by the qualified person.
2. This product is non-waterproof. Please avoid the sun and rain. When installed outdoors, please ensure it is mounted in a water proof enclosure.
3. Good heat dissipation will prolong the working life of the controller. Please ensure good ventilation.
4. Please check if the output voltage of the LED power supply used comply with the working voltage of the product.
5. Please ensure that adequate sized cable is used from the controller to the LED lights to carry the current. Please also ensure that the cable is secured tightly in the connector.
6. Ensure all wire connections and polarities are correct before applying power to avoid any damages to the LED lights.
7. If a fault occurs, please return the product to your supplier. Do not attempt to fix this product by yourself.

\* This manual is subject to changes without further notice. Product functions depend on the goods.  
Please feel free to contact our official distributors if you have any question.

## Warranty agreement

Warranty periods from the date of delivery : 5 years.

Free repair or replacement services for quality problems are provided within warranty periods.

### Warranty exclusions below:

- Beyond warranty periods.
  - Any artificial damage caused by high voltage, overload, or improper operations.
  - Products with severe physical damage.
  - Damage caused by natural disasters and force majeure.
  - Warranty labels and barcodes have been damaged.
  - No any contract signed by LTECH.
1. Repair or replacement provided is the only remedy for customers. LTECH is not liable for any incidental or consequential damage unless it is within the law.
  2. LTECH has the right to amend or adjust the terms of this warranty, and release in written form shall prevail.